

# TRJ 120 Frameless Sliding Glass Door System



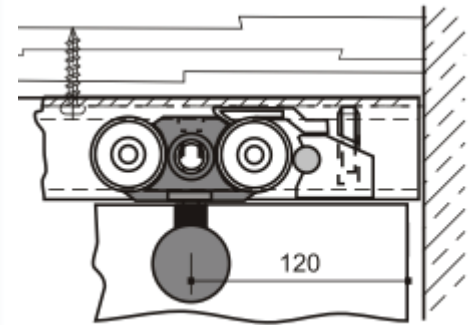
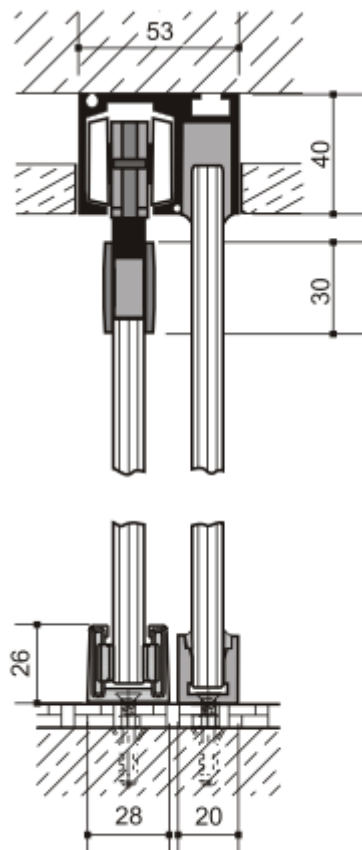
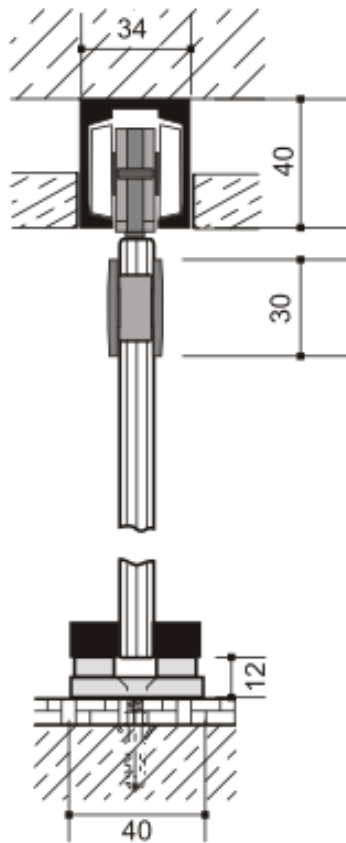
*A High quality, low friction, easy slide frameless glass sliding door system for the home or workplace.*

- Highly reliable system for glass doors
- Very quiet operation
- Very low friction - easy slide
- Adjustable strength end stop available
- Low headroom applications
- Easy and quick installation



The TRJ 120 Frameless glass sliding door system for 10 or 12mm glass panels up to 120kg in weight. Available as a single sliding door or door and fixed panel combination, the track can be surface fitted or set above the ceiling.

Glass options include Clear, Sandblasted, Etched design or Tinted Blue, Green, Bronze or Grey. Inset or T Bar handles and indicator locks also available.





All our products can be found on our comprehensive website at

**WWW.GOGLASS.CO.UK**

Please feel free to browse at your leisure where you will be able to download electronic versions of our new catalogues online.

Go Glass have produced a new range of brochures to show our different products in more detail and show the different applications in which they can be used.

They cover the following :

- Decorative, sandblasted and etched glass
- Interior glass doors, partitions and screens
- Frameless glass showers
- Glass splashbacks and worktops.

For further details of products or to receive a free catalogue, please call in at our office or contact us today.

**address :** 127 Cherry Hinton Road  
Cambridge CB1 7BS

**fax :** 01223 242286

**email :** info@goglass.co.uk

**telephone :** 01223 211041

**web :** www.goglass.co.uk

